

M329 Selector Box[®]

DATA SHEET

Description:

The Heatizon M329 is designed to operate up to twelve Heatizon Control Units, including CBX6 series, CBX23 Series, CBX7 Series, SLC500 Series, Radiant 8 Series, and Current Master Series. The Selector Box protects the master breaker by staggering the start of each Control Unit. It also provides the manual operation of one or more Control Units, delivers 24VAC for activation device power, and allows up to twelve Control Units to be activated by a single activation device. The Selector Box may also be used with many different activation devices.

Features:

- Compatible with many different activation devices
- Will control up to 12 Heatizon Control Units or Current Masters
- Manual/Off/Auto toggle switches for each Control Unit
- 24 Volt transformer output to power 24VAC sensors
- Independent LED status light for each Control Unit
- Convenient control of entire system from a single location

Design:



Uses:

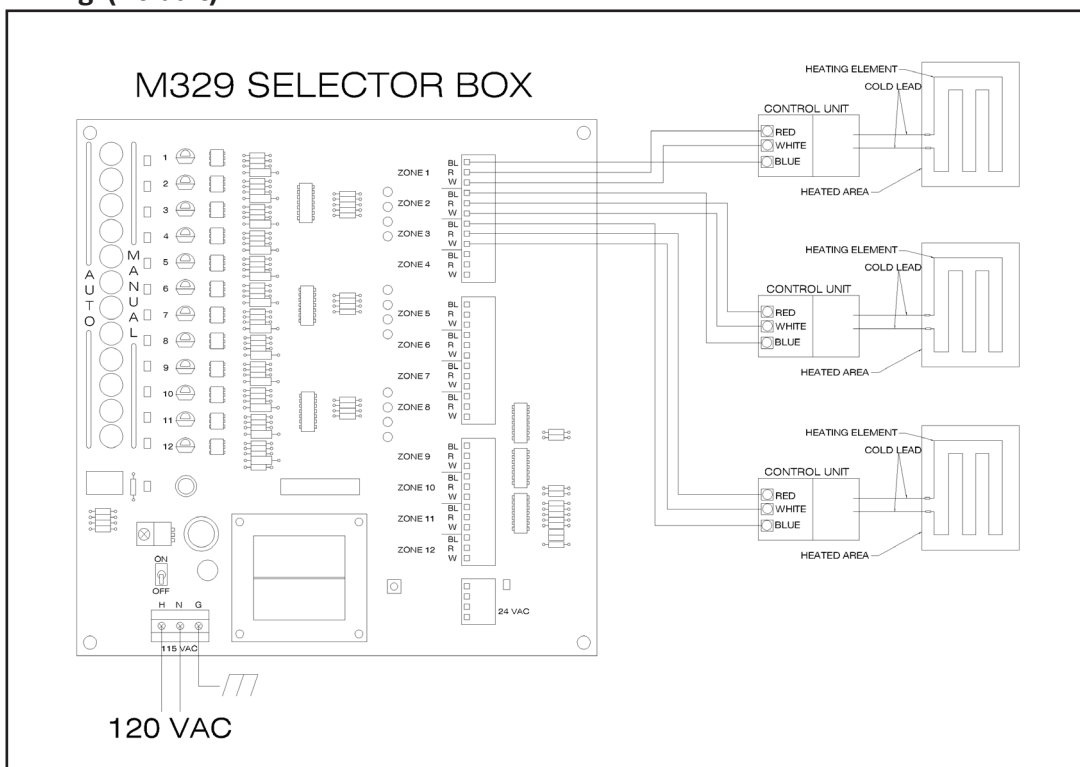
The Heatizon M329 is designed to operate up to twelve Heatizon Control Units or Current Masters for any of these applications:

- Snow Melting
- Roof Deicing
- Floor Warming
- Space Heating
- Pipe Tracing

Specifications

- Requires 120 Volt Power
- Dimensions: 12" w x 12" h x 4" d
- 16 lbs

Wiring: (Default)



Compatible Heatizon Activation Devices:

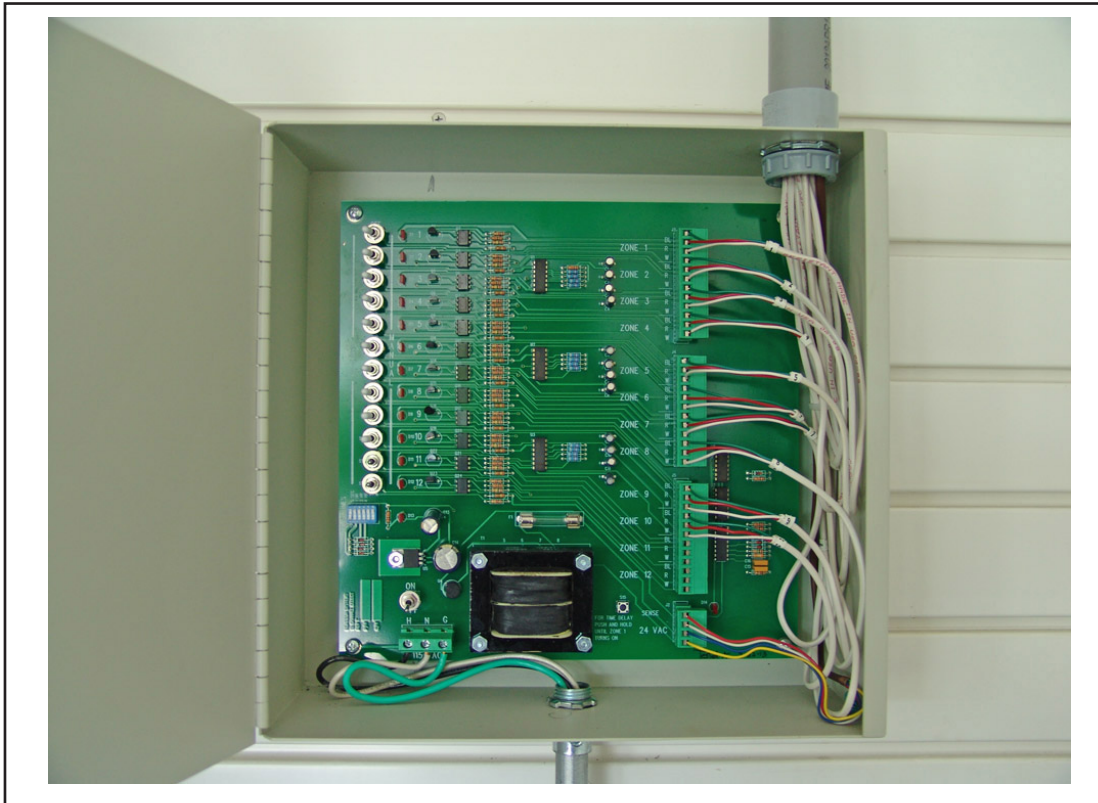
M315H	M320	M321 Series	M322	M323	M325
M326A	M326ARS	M326A24	M326ARS24	M331	M332
M335	M336	M337G	M431	M435	



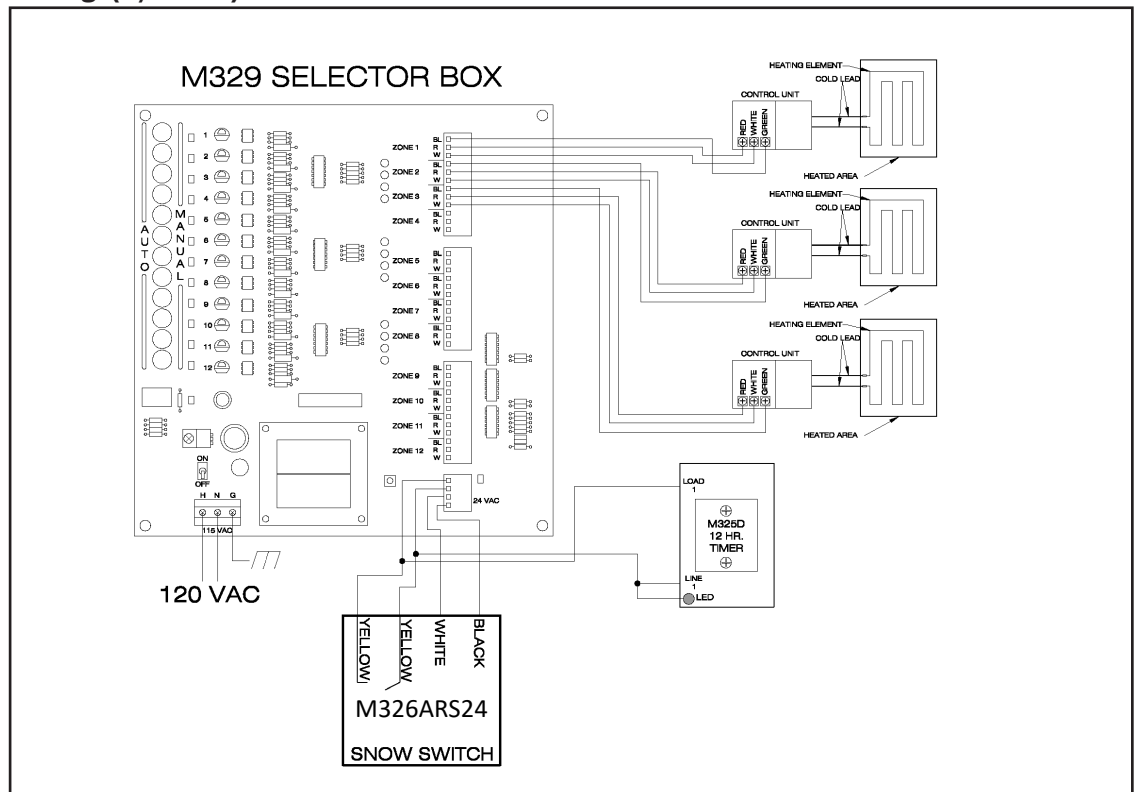
Note: Refer to the NEC or CEC for specific requirements.



COMFORT RADIANT HEATING LLC
 9 Morris Lane, Clifton Park, NY 12065
 (888)448-0555 (518)373-5700
www.comfortradiant.com



Wiring: (w/M326)



Note: Refer to the NEC or CEC for specific requirements.



COMFORT RADIANT HEATING LLC

9 Morris Lane, Clifton Park, NY 12065

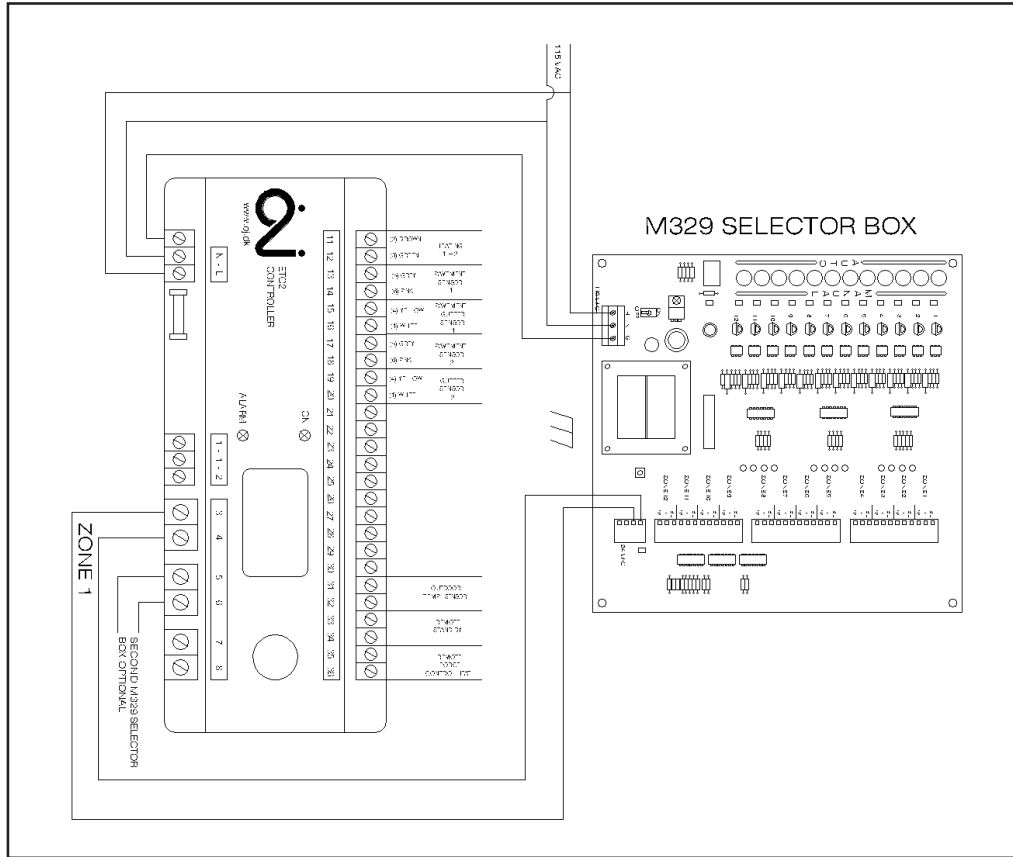
(888)448-0555 (518)373-5700

www.comfortradiant.com

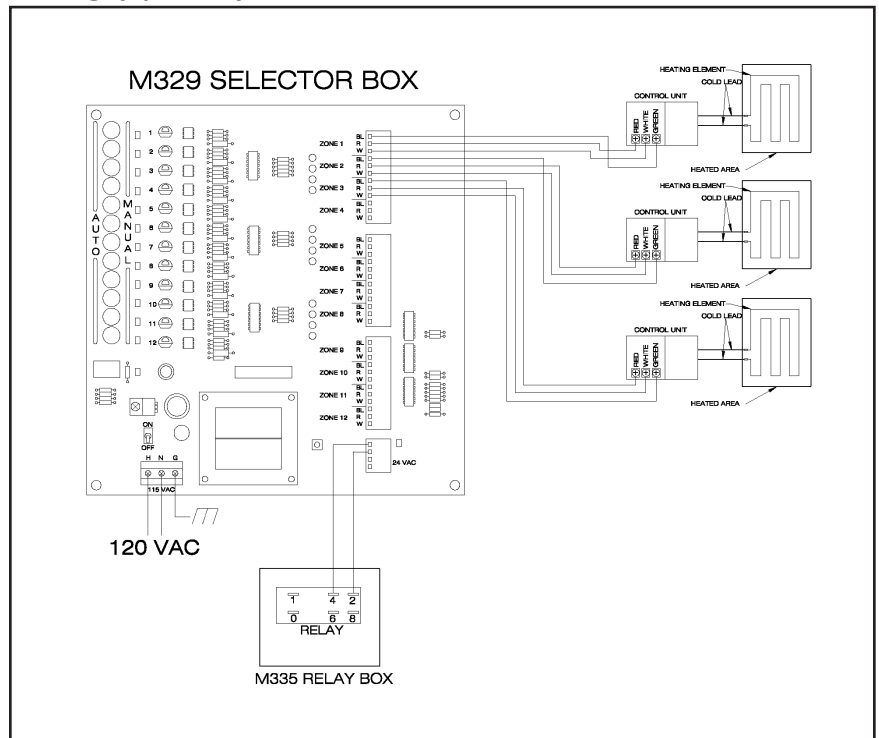
M329 Selector Box®

DATA SHEET

Wiring: (w/ M435 or M431)



Wiring: (w/ M335)



Note: Refer to the NEC or CEC for specific requirements.



COMFORT RADIANT HEATING LLC

9 Morris Lane, Clifton Park, NY 12065

(888)448-0555 (518)373-5700

www.comfortradiant.com