

M325/M325D 12-Hour Switch

DATA SHEET

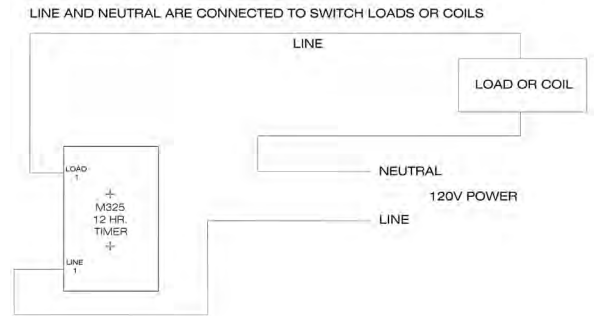
Features:

- Operation of system from 0 to 12 hours
- Has “Hold” position
- Requires no electrical power or batteries
- Time saving “up front” terminal connection

Specifications:

- 2.5 lbs
- -40°F to 155°F

Design & Wiring:

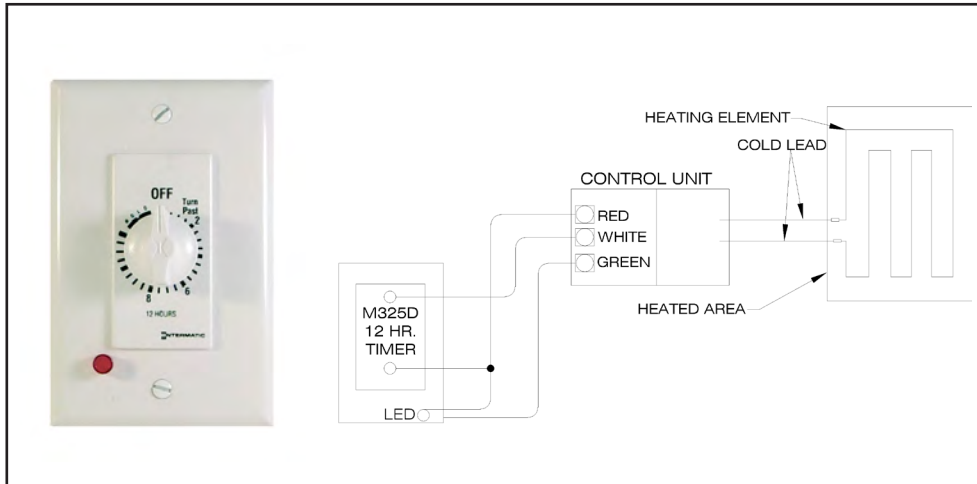


Applications:

- Low Voltage - SLC500, CBX Series, Radiant 8 Control Units
- Line Voltage - M330 Series, M530 Series
- Direct Switch - 120V/20AMP or 208-277V/10AMP
- Activator Switch- M432, M329 & M346
- Floor Warming
- Snow Melting
- Roof Deicing

M325D

Design & Wiring:



Features:

- Operation of system from 0 to 12 hours
- LED status indicator light (Low Voltage Systems only)
- Has “Hold” position
- Requires electrical power for LED light only.
- Time saving “up front” terminal connection

Specifications:

- 2.5 lbs
- -40°F to 155°F

Applications:

- Low Voltage - SLC500, CBX Series, Radiant 8 Control Units
- Direct Switch - 120V/20AMP or 208-277V/10AMP
- Activator Switch- M432, M329 & M346
- Floor Warming
- Snow Melting
- Roof Deicing



Note: Refer to the NEC or CEC for specific requirements.



COMFORT RADIANT HEATING LLC

9 Morris Lane, Clifton Park, NY 12065

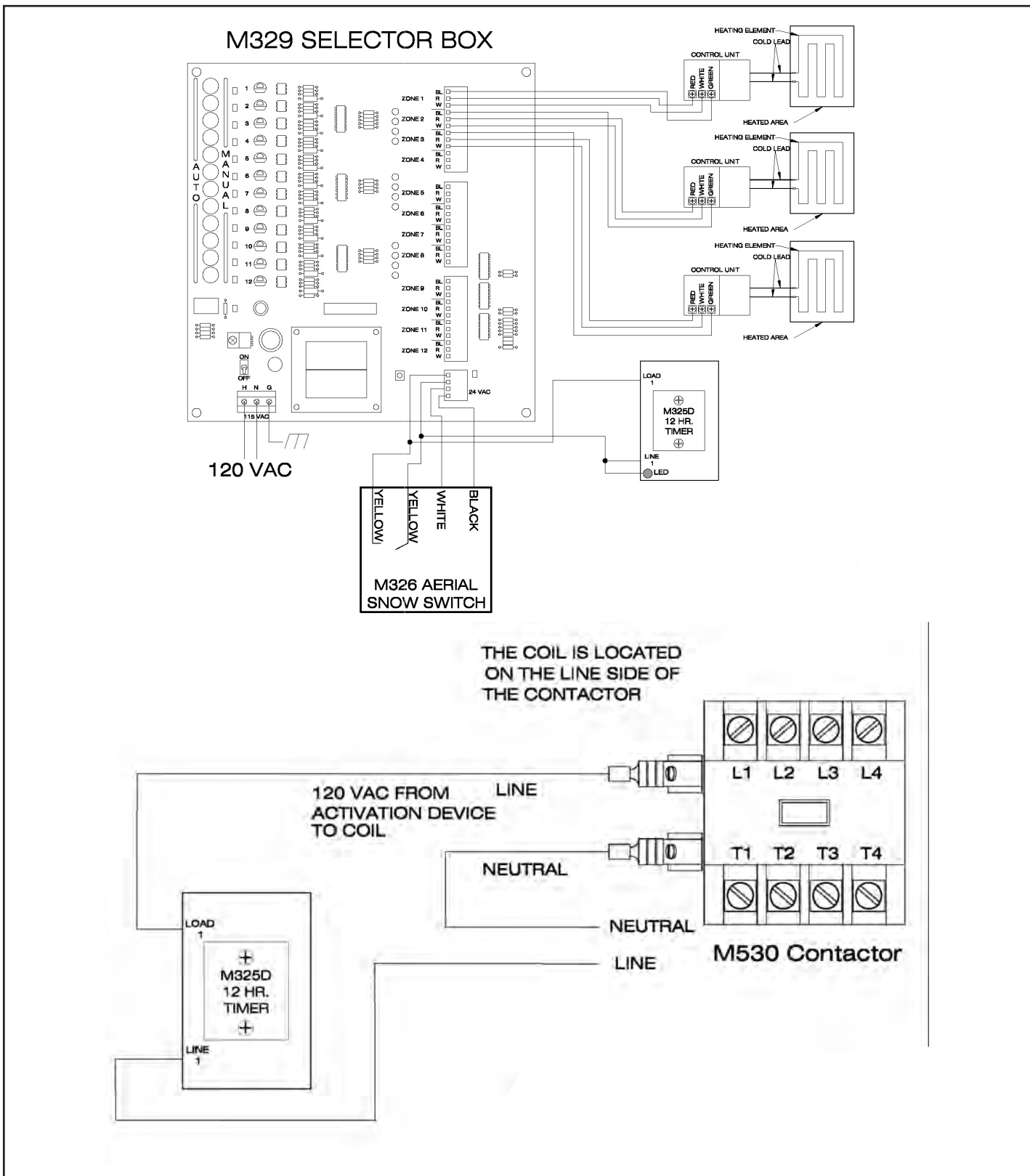
(888)448-0555 (518)373-5700

www.comfortradiant.com

M325/M325D 12-Hour Switch

DATA SHEET

Wiring:



Note: Refer to the NEC or CEC for specific requirements.



COMFORT RADIANT HEATING LLC
 9 Morris Lane, Clifton Park, NY 12065
 (888)448-0555 (518)373-5700
 www.comfortradiant.com